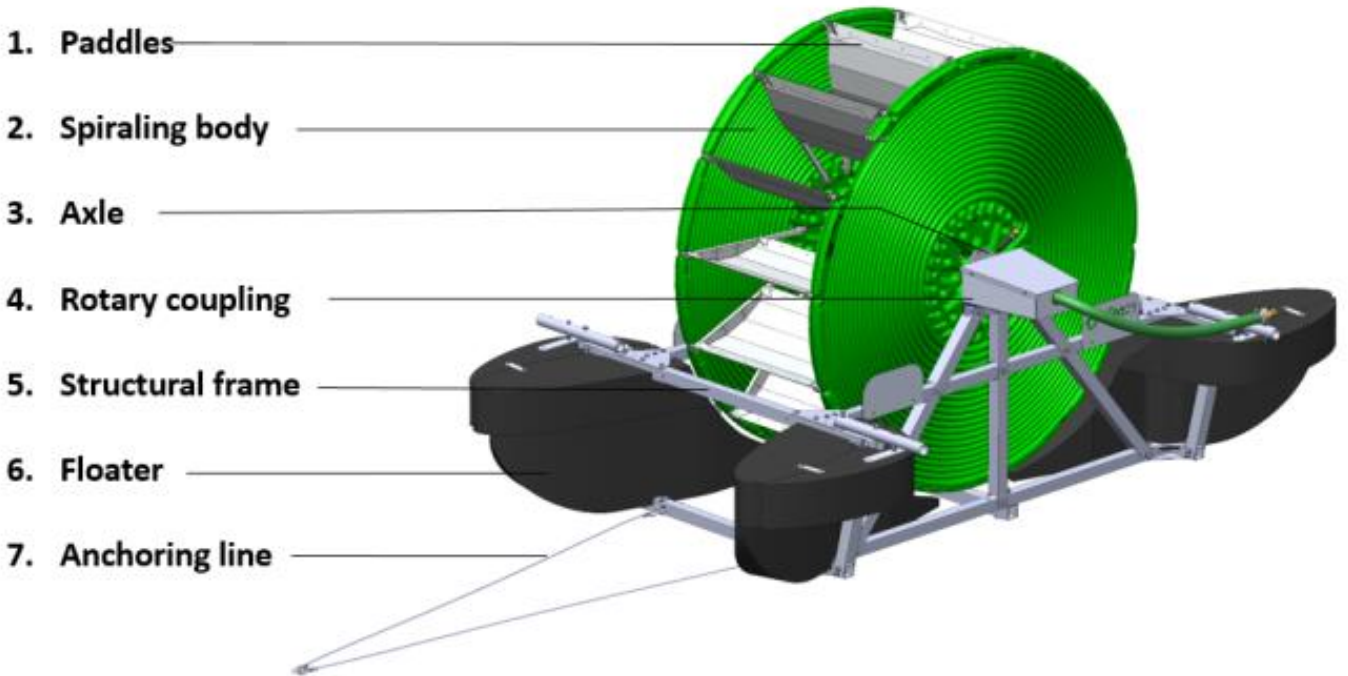


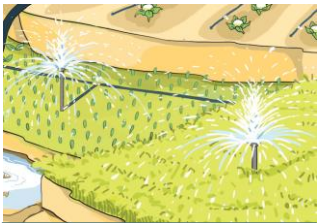
# The Barsha Pump

## Variants & Specifications



The Barsha Pump is a water-wheel propelled pump that utilizes the energy of flowing rivers and canals to pump water, **without requiring any fuel or electricity.**

### Applications



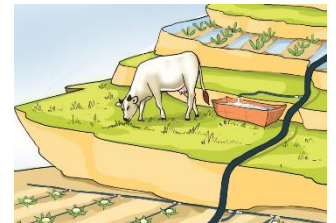
Irrigation



Drinking Water



Aquaculture



Livestock



**aQysta**  
*Innovating for Impact*

W: [aQysta.com](http://aQysta.com)  
M: [info@aQysta.com](mailto:info@aQysta.com)  
T: +31 623 47 47 57  
F: [www.facebook.com/aQysta](http://www.facebook.com/aQysta)

# Barsha Pump – Rivers – Floating Version



		<b>Narrow</b>	<b>Wide</b>
Output [Pipe size: - 1.5 inches(40mm) for distance greater than 200 meters - 1.25 inch (32mm) otherwise]	Max. Height*	20 meters	20 meters
	Max. Distance*	2 kilometers	2 kilometers
	Max. Flow Rate*	0.5 liters/second 40,000 liters per day	0.5 liters/second 40,000 liters per day
Input Conditions Required	Min. width required	160 cm	180 cm
	Min. Depth required	30 cm	30 cm
	Min. speed required	1 m/s	0.8 m/s
	Min. Flow rate required	300 liter/second	300 liter/second
Dimension	Width	155 cm	175 cm
	Length	286 cm	286 cm
	Height	159 cm	159 cm
	Weight	92 kg	97 kg

*\*The performance values mentioned above are the maximum values at the optimum input conditions.*



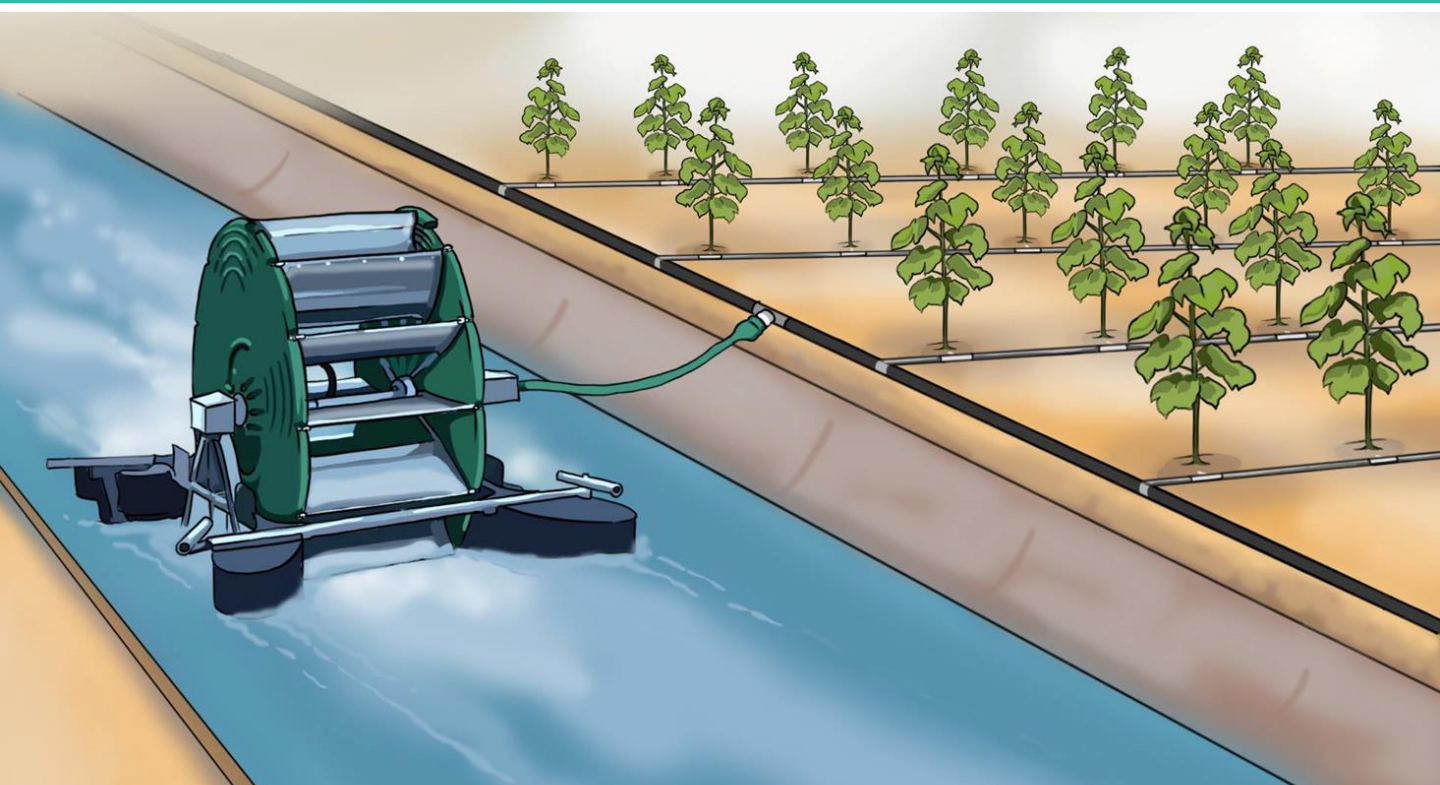
# Barsha Pump – Rivers – Standing Version



		Narrow	Wide
Output [Pipe size: - 1.5 inches(40mm) for distance greater than 200 meters - 1.25 inch (32mm) otherwise]	Max. Height*	20 meters	20 meters
	Max. Distance*	2 kilometers	2 kilometers
	Max. Flow Rate*	0.5 liters/second 40,000 liters per day	0.5 liters/second 40,000 liters per day
Input Conditions Required	Min. width required	150 cm	170 cm
	Depth required	20-50 cm	20-50 cm
	Min. speed required	1 m/s	0.8 m/s
	Min. Flow rate required	300 liter/second	300 liter/second
Dimension	Width	144 cm	164 cm
	Length	179 cm	179 cm
	Height	159 cm	159 cm
	Weight	80 kg	85 kg

*\*The performance values mentioned above are the maximum values at the optimum input conditions.*

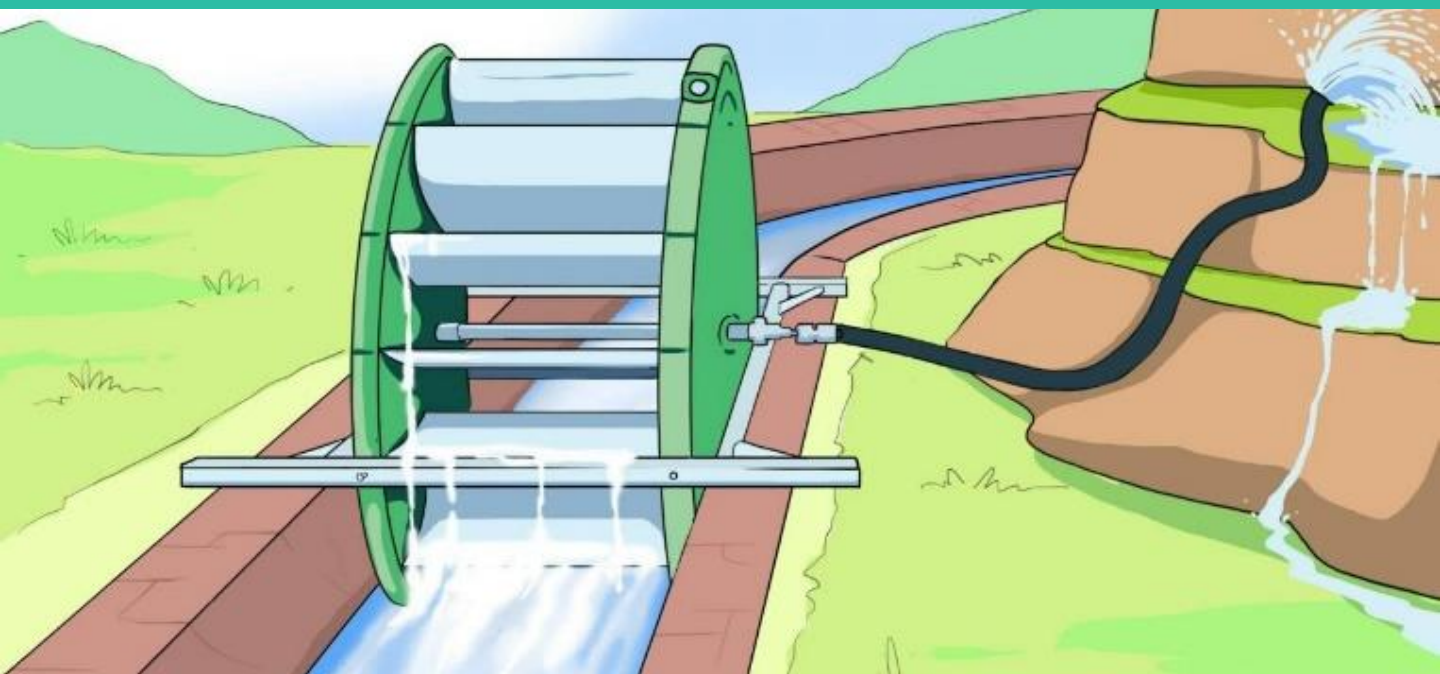
# Barsha Pump - Big Canals – Floating Version



		Narrow	Wide
Output [Pipe size: - 1.5 inches(40mm) for distance greater than 200 meters - 1.25 inch (32mm) otherwise]	Max. Height*	20 meters	20 meters
	Max. Distance*	2 kilometers	2 kilometers
	Max. Flow Rate*	0.5 liters/second 40,000 liters per day	0.5 liters/second 40,000 liters per day
Input Conditions Required	Min. width required	160 cm	180 cm
	Min. Depth required	30 cm	30 cm
	Min. speed required	1 m/s	0.8 m/s
	Min. Flow rate required	300 liter/second	300 liter/second
Dimension	Width	155 cm	175 cm
	Length	286 cm	286 cm
	Height	159 cm	159 cm
	Weight	92 kg	97 kg

*\*The performance values mentioned above are the maximum values at the optimum input conditions.*

# Barsha Pump - Small Canals – Wall-mounted Version

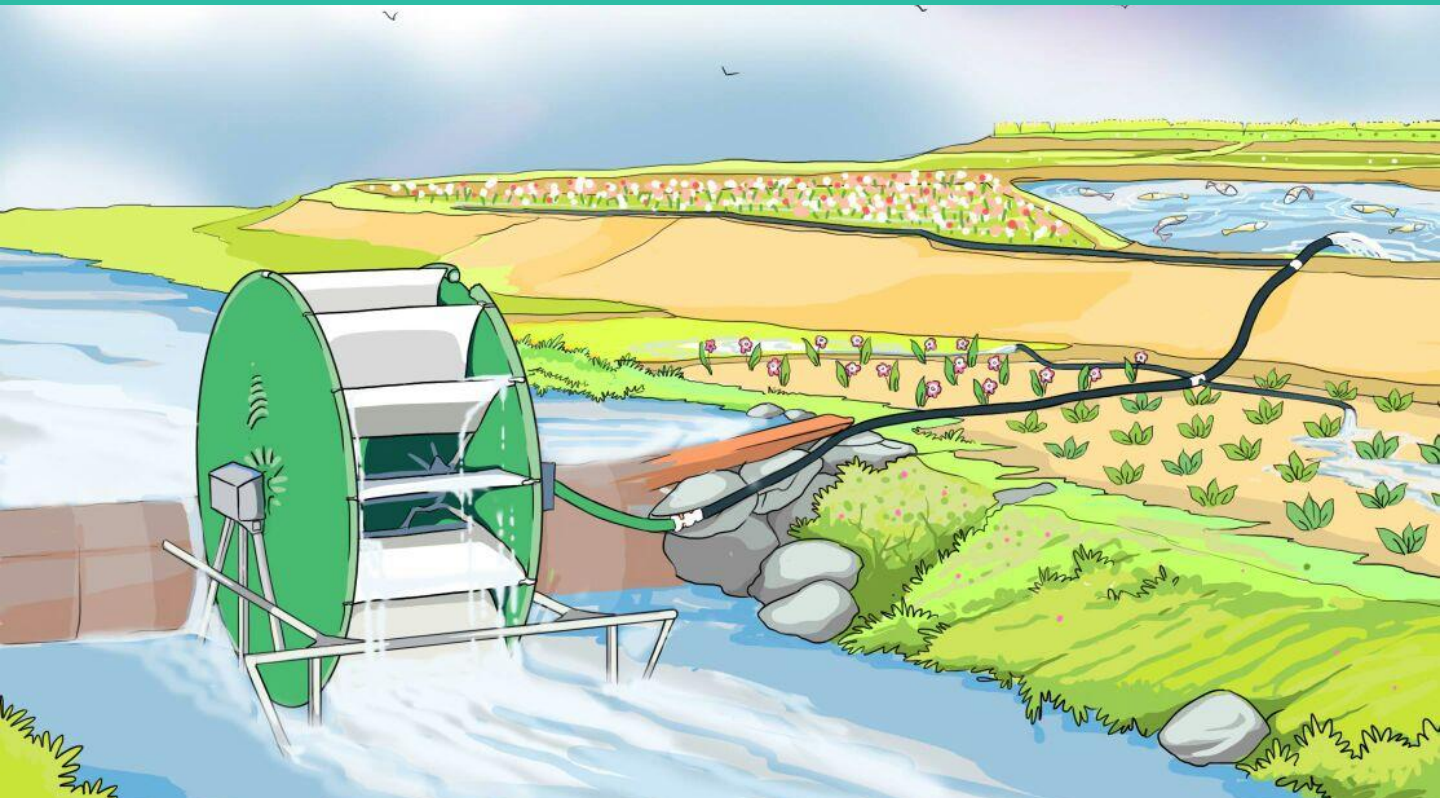


		Narrow	Wide
Output [Pipe size: - 1.5 inches(40mm) for distance greater than 200 meters - 1.25 inch (32mm) otherwise]	Max. Height*	20 meters	20 meters
	Max. Distance*	2 kilometers	2 kilometers
	Max. Flow Rate*	0.5 liters/second 40,000 liters per day	0.5 liters/second 40,000 liters per day
Input Conditions Required	Min. width required	70 cm	90 cm
	Min. Depth required	30 cm	30 cm
	Min. speed required	0.8 m/s	0.6 m/s
	Min. Flow rate required	100 liter/second	100 liter/second
Dimension	Width	144 cm	164 cm
	Length	179 cm	179 cm
	Height	150 cm	150 cm
	Weight	75 kg	80 kg

\*The performance values mentioned above are the maximum values at the optimum input conditions.



# Barsha Pump – Streams/Canal drops – Breast shot Version



		<b>Narrow</b>
Output [Pipe size: - 1.5 inches(40mm) for distance greater than 200 meters - 1.25 inch (32mm) otherwise]	Max. Height*	20 meters
	Max. Distance*	2 kilometers
	Max. Flow Rate*	0.5 liters/second 40,000 liters per day
Input Conditions Required  (For breastshot version, the site should have a possibility to make the water fall from a height of 0.5 metres to 1 metres with dam or diversion)	Min. width required	70 cm
	Min. Depth required	10 cm
	Min. speed required	0.5 m/s
	Min. Flow rate required	>30 liters/second
Dimension	Width	144 cm
	Length	179 cm
	Height	159 cm
	Weight	80 kg

*\*The performance values mentioned above are the maximum values at the optimum input conditions.*